



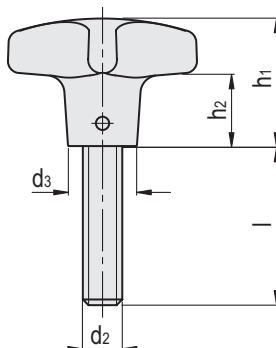
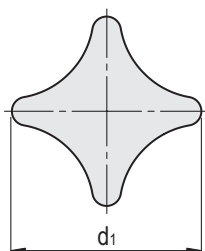
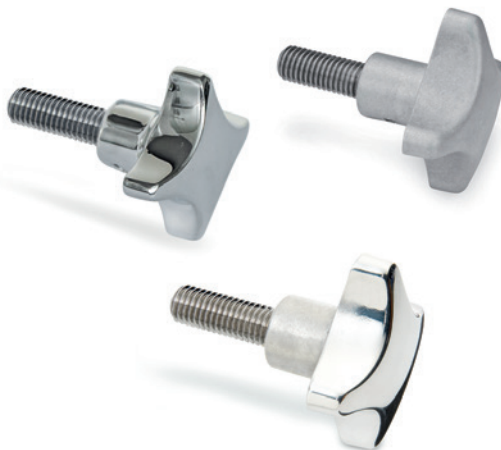
STANDARD EXECUTIONS

- **GN 6335.5-A4P**: Precision cast AISI 316 stainless steel hand knob, polished finish, AISI 316 stainless steel threaded pin. AISI 303 stainless steel threaded pin:
- **GN 6335.5-ES**: Precision cast CF-8 stainless steel hand knob.
- **GN 6335.5-AM**: Aluminium cast hand knob, matte finish.
- **GN 6335.5-AP**: Aluminium cast hand knob, polished finish.

FEATURES AND APPLICATIONS

Star knobs GN 6335.5 satisfy the dimensions of the DIN 6335 (see page) but differ in terms of their non-scooping geometry, which makes cleaning easier and helps prevent possible build-up of dirt.

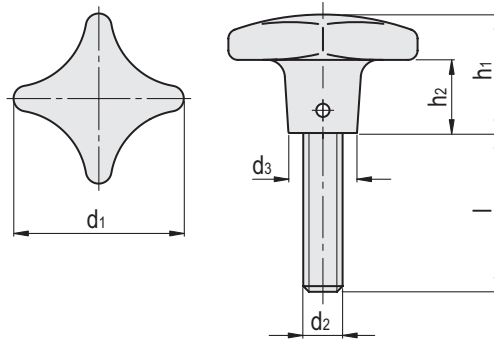
They are suitable for areas with special hygiene requirements and, thanks to the material used, for applications in highly corrosive environments.



GN 6335.5-A4P

INOX STAINLESS STEEL

Code	Description	d1	d2	d3	l	h1	h2	⚖
GN.66751	GN 6335.5-A4P-40-M8-20	40	M8	14	20	25	13	74
GN.66752	GN 6335.5-A4P-40-M8-25	40	M8	14	25	25	13	76
GN.66753	GN 6335.5-A4P-40-M8-30	40	M8	14	30	25	13	78
GN.66754	GN 6335.5-A4P-40-M8-40	40	M8	14	40	25	13	82
GN.66755	GN 6335.5-A4P-50-M10-20	50	M10	18	20	32	18	136
GN.66756	GN 6335.5-A4P-50-M10-25	50	M10	18	25	32	18	139
GN.66757	GN 6335.5-A4P-50-M10-30	50	M10	18	30	32	18	142
GN.66758	GN 6335.5-A4P-50-M10-45	50	M10	18	45	32	18	151
GN.66759	GN 6335.5-A4P-50-M10-55	50	M10	18	55	32	18	158
GN.66760	GN 6335.5-A4P-63-M12-30	63	M12	20	30	40	23	254
GN.66761	GN 6335.5-A4P-63-M12-40	63	M12	20	40	40	23	263
GN.66762	GN 6335.5-A4P-63-M12-50	63	M12	20	50	40	23	271



GN 6335.5-ES

INOX STAINLESS STEEL

Code	Description	d1	d2	d3	l	h1	h2	⚖
GN.66816	GN 6335.5-ES-40-M8-20	40	M8	14	20	25	13	72
GN.66817	GN 6335.5-ES-40-M8-25	40	M8	14	25	25	13	74
GN.66818	GN 6335.5-ES-40-M8-30	40	M8	14	30	25	13	75
GN.66819	GN 6335.5-ES-40-M8-40	40	M8	14	40	25	13	79
GN.66820	GN 6335.5-ES-50-M10-20	50	M10	18	25	32	18	130
GN.66821	GN 6335.5-ES-50-M10-25	50	M10	18	30	32	18	132
GN.66822	GN 6335.5-ES-50-M10-30	50	M10	18	35	32	18	135
GN.66823	GN 6335.5-ES-50-M10-45	50	M10	18	45	32	18	142
GN.66824	GN 6335.5-ES-50-M10-55	50	M10	18	55	32	18	146
GN.66825	GN 6335.5-ES-63-M12-30	63	M12	20	30	40	23	240
GN.66826	GN 6335.5-ES-63-M12-40	63	M12	20	40	40	23	245
GN.66827	GN 6335.5-ES-63-M12-50	63	M12	20	50	40	23	249

GN 6335.5-AM

Code	Description	d1	d2	d3	l	h1	h2	⚖
GN.66781	GN 6335.5-AM-40-M8-20	40	M8	14	20	25	13	34
GN.66782	GN 6335.5-AM-40-M8-25	40	M8	14	25	25	13	35
GN.66783	GN 6335.5-AM-40-M8-30	40	M8	14	30	25	13	38
GN.66784	GN 6335.5-AM-40-M8-40	40	M8	14	40	25	13	41
GN.66785	GN 6335.5-AM-50-M10-20	50	M10	18	20	32	18	63
GN.66786	GN 6335.5-AM-50-M10-25	50	M10	18	25	32	18	65
GN.66787	GN 6335.5-AM-50-M10-30	50	M10	18	30	32	18	68
GN.66788	GN 6335.5-AM-50-M10-45	50	M10	18	45	32	18	75
GN.66789	GN 6335.5-AM-50-M10-55	50	M10	18	55	32	18	79
GN.66790	GN 6335.5-AM-63-M12-30	63	M12	20	30	40	23	104
GN.66791	GN 6335.5-AM-63-M12-40	63	M12	20	40	40	23	111
GN.66792	GN 6335.5-AM-63-M12-50	63	M12	20	50	40	23	118

GN 6335.5-AP

Code	Description	d1	d2	d3	l	h1	h2	⚖
GN.66801	GN 6335.5-AP-40-M8-20	40	M8	14	20	25	13	34
GN.66802	GN 6335.5-AP-40-M8-25	40	M8	14	25	25	13	36
GN.66803	GN 6335.5-AP-40-M8-30	40	M8	14	30	25	13	37
GN.66804	GN 6335.5-AP-40-M8-40	40	M8	14	40	25	13	40
GN.66805	GN 6335.5-AP-50-M10-20	50	M10	18	25	32	18	61
GN.66806	GN 6335.5-AP-50-M10-25	50	M10	18	30	32	18	64
GN.66807	GN 6335.5-AP-50-M10-30	50	M10	18	35	32	18	66
GN.66808	GN 6335.5-AP-50-M10-45	50	M10	18	45	32	18	74
GN.66809	GN 6335.5-AP-50-M10-55	50	M10	18	55	32	18	79
GN.66810	GN 6335.5-AP-63-M12-30	63	M12	20	30	40	23	105
GN.66811	GN 6335.5-AP-63-M12-40	63	M12	20	40	40	23	113
GN.66812	GN 6335.5-AP-63-M12-50	63	M12	20	50	40	23	118